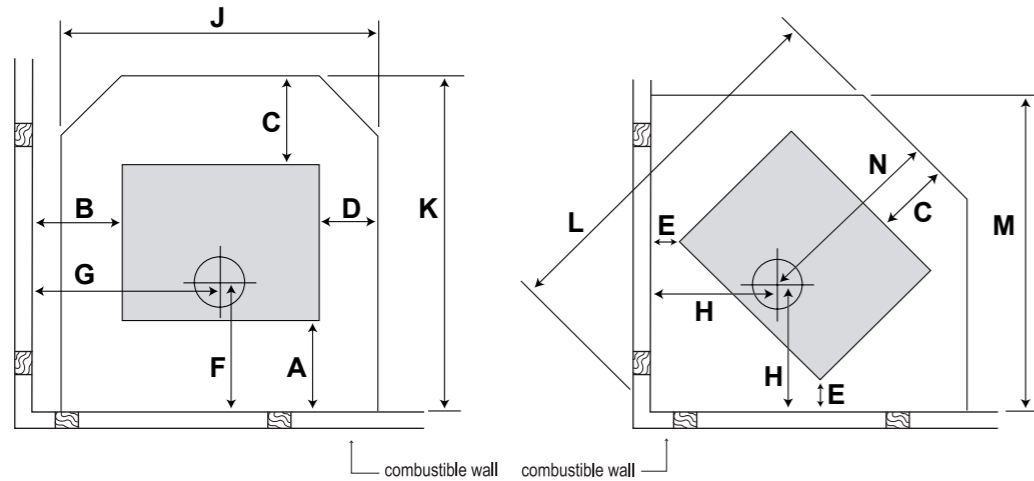


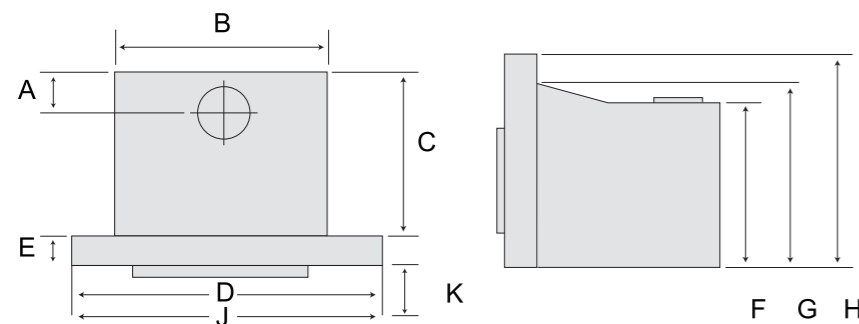
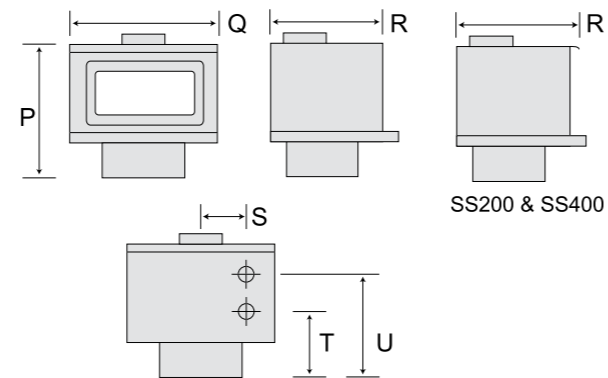
Specifications



Clearance Requirements (mm)	A	B	C*	D	E	F	G	H	J	K	L	M	N
SS200 (with double skin flue shield)	150	250	300	114	150	298	550	467	828	848	1209	996	550
SS300 (with double skin flue shield)	100	195	300	134	50	256	475	359	828	832	1083	906	576
SS400 (with double skin flue shield and flue deflector)	170	340	300	89	120	356	705	510	908	944	1311	1095	588
Spitfire (with single skin stainless steel flue shield and top edge diverter)	100	250	300	131	50	257	574	392	909	844	1139	973	587
DM500	100	50	N/A	N/A	50	260	375	347	N/A	N/A	N/A	N/A	N/A

*Dimension 'C' is taken from the firebox door seal lip to the front of the floor protector.

Heater Dimensions (mm)	P	Q	R	S	T	U
SS200	648	600	425	N/A	N/A	N/A
SS300	655	560	432	N/A	N/A	N/A
SS400	650	730	509	N/A	N/A	N/A
Spitfire	706	647	444	N/A	N/A	N/A
DM500	660	650	380	100	520	575



Heater Dimensions (mm)	A	B	C	D	E	F	G	H	J**	K**
IS500 Insert*	137	640	506	840	62	485	570	650	840	300

* For IS500 Zero Clearance dimensions, please contact your Jayline dealer.

** Please refer to specifications for full floor protector details.

Flue size for all Jayline fires is 150mm.

Retail Links Ltd reserve the right to change specifications or designs without prior notice.

Retail Links Ltd, P.O Box 9056, Annesbrook, Nelson, www.jayline.co.nz. April 2011

Your Jayline stockist:



JAYLINE

INNOVATION • ENERGY • LIFESTYLE

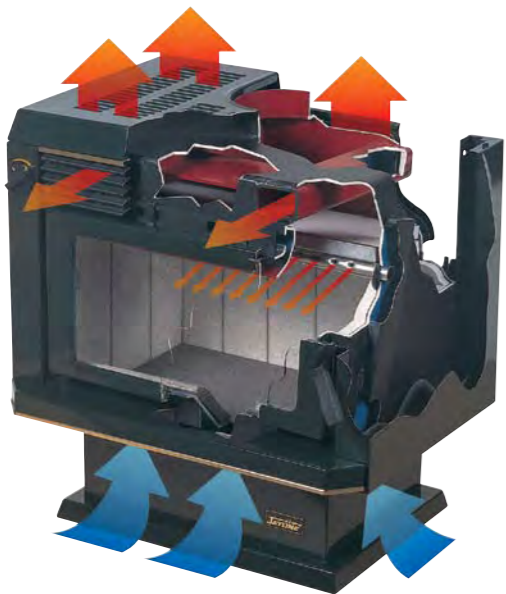
The trusted name in home heating



The Jayline Story

When you buy a Jayline fire you can enjoy the peace of mind that comes from owning a superior product. Our dedicated research, development and technical team has a steadfast commitment to producing superior fires that are both efficient and affordable for New Zealanders today.

Jayline's exclusive Convection Maximiser Technology provides superior heat through enhancing the air flow and heat transfer from the fire to the wider home. Air is super heated in tubes that run through the top of the firebox and is then put directly to use. This design feature ensures you have a warm house not just a warm fire. The Convection Maximiser Technology enables a smaller unit to distribute the heat more effectively and efficiently.



The Jayline Wood Fire Warranty

When you buy a Jayline Wood Fire, you're getting a quality appliance that's designed to give many years of reliable service. Full compliance with safety, performance and emission regulations is of paramount importance. Rigorous testing is performed on all Jayline's in independent laboratories and domestic situations. For this reason you are offered a comprehensive Firebox Warranty on all Jayline products.

Ask your local home heating expert about these and many more benefits that come from owning a Jayline heating solution.



Convection Maximiser Series

SS400

The SS400, like the smaller SS200, combines modern clean lines with a large glass front. This SS400 firebox includes Jayline's exclusive Convection Maximiser Technology with the added bonus of a radiant cooktop.

Radiant & Convection Heating:	Yes
Recommended Heating Area:	130-180m ²
Emissions:	1.37g/kg
Efficiency:	66.4%
Cooktop:	Yes
Floor Protector Required:	Non Insulated
Clean Air Authorisation Number:	N0025



Convection Maximiser Series

Spitfire

The Spitfire blends style and performance to transform larger spaces into luxurious spaces. This fire has the full complement of our Convection Maximiser Technology, clean lines and superior design.

Convection Heating:	Yes
Recommended Heating Area:	130-180m ²
Emissions:	1.34g/kg
Efficiency:	69.6%
Cooktop:	Yes
Floor Protector Required:	Non Insulated
Clean Air Authorisation Number:	N0024



Signature Series

IS500

The quest for the perfect and latest in high performance, high economy, clean air wood inserts ends with the Jayline IS500. The clean contemporary lines, large viewing glass and metallic black matt finish of the IS500 enable it to fit any home décor.

Convection Heating:	Yes
Recommended Heating Area:	130m ² -170m ²
Emissions:	.9g/kg
Efficiency:	67%
Floor Protector Required:	Insulated
Clean Air & ECan Authorisation No:	111085



Signature Series

DM500

The DM500 is a modern styled fire that uses diesel as fuel. It is cost effective to run and produces a constant heat output.

Convection Heating:	Yes
Recommended Heating Area:	100-120m ²
Emissions:	N/A
Efficiency:	N/A
Cooktop:	Yes
Floor Protector Required:	N/A
Wetback Available:	Yes



Signature Series

SS200

The SS200, like the SS400, has a modern sleek outer wrap design that will enhance any room. This fire uses radiant heat transfer to warm smaller open areas.

Radiant Heating:	Yes
Recommended Heating Area:	120-160m ²
Emissions:	.95g/kg
Efficiency:	65.8%
Cooktop:	Yes
Floor Protector Required:	Non Insulated
Clean Air Authorisation Number:	N0023



Signature Series

SS300

The contemporary design of the SS300 enables the fire to blend with any décor. This fire provides maximum convection air flow and is ideal for heating smaller areas.

Convection Heating:	Yes
Recommended Heating Area:	120-160m ²
Emissions:	1.03g/kg
Efficiency:	70.8%
Cooktop:	Yes
Floor Protector Required:	Non Insulated
Clean Air Authorisation Number:	N0016