

Issued: 9<sup>th</sup> June 2008



## Installation Detail for Jayline Starfire Insert Fitted with Factory Zero Clearance Cabinet and Flue System

### Testing and Certification

	AS/NZS2918:2001	AS/NZS2918:2001 App B	AS/NZS4012	AS/NZS4013	ECan Auth Number
Jayline Starfire Zero Clearance	Complies	Complies	69%	0.9g/kg	072526

These instructions should be read in conjunction with the relevant Starfire details in the full installation and operating manual supplied with every Jayline appliance.



**Issued: 9<sup>th</sup> June 2008**

Following these instructions allows for the Jayline Starfire to be installed safely in a timber frame wall, without the need for further heat protection beyond that supplied as part of the cabinet and flue system.

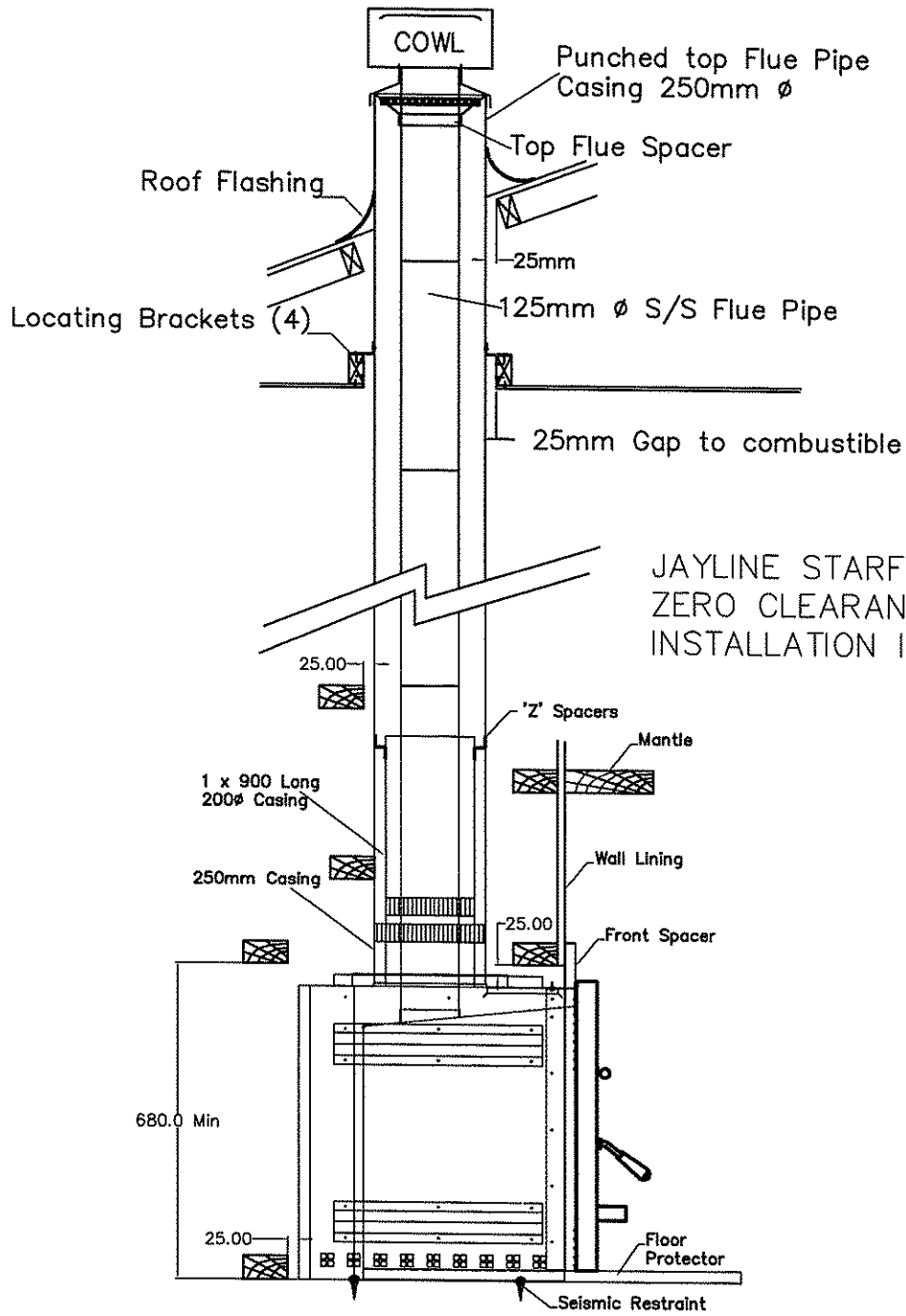
**WARNING:** It is critical that these instructions are followed fully and that no substitute parts are used.

For floor protector and mantle extension detail refer to the full manual, page 2, for approved clearances.

For floor protector materials refer to the full manual, page 4.

## **Installation Notes**

1. Starfire zero clearance cabinet is approved to sit directly into a timber frame.
2. Combustible materials can be in contact with the 25mm standoffs fitted to the outside of the cabinet, but we recommend an additional clearance of 25mm beyond the standoffs for ease of moving into position without becoming jammed in the wall cavity provided for the appliance.
3. Timber framing can be in contact with the 250mm diameter outer casing where the 200mm diameter inner casing is at that height also.
4. Timber framing must be 25mm clear of the outer casing if the 200mm diameter inner casing is not present at that height.
5. The floor protector extension in front of the door shall be minimum 8mm ceramic tiles if the floor is heat sensitive material (eg. timber).



JAYLINE STARFIRE  
 ZERO CLEARANCE  
 INSTALLATION INSTRUCTIONS.

