

A = Rear wall to rear heat shield
 B = Side wall to side edge of top plate
 C = Door seal lip (fire box) to the front of the floor protector
 E = Wall to rear corner of top plate

All dimensions are in millimetres.
 All dimensions are set as a minimum guide only.

Minimum clearance requirements to combustibles with 1200mm Jayline MKII double skin flue shield

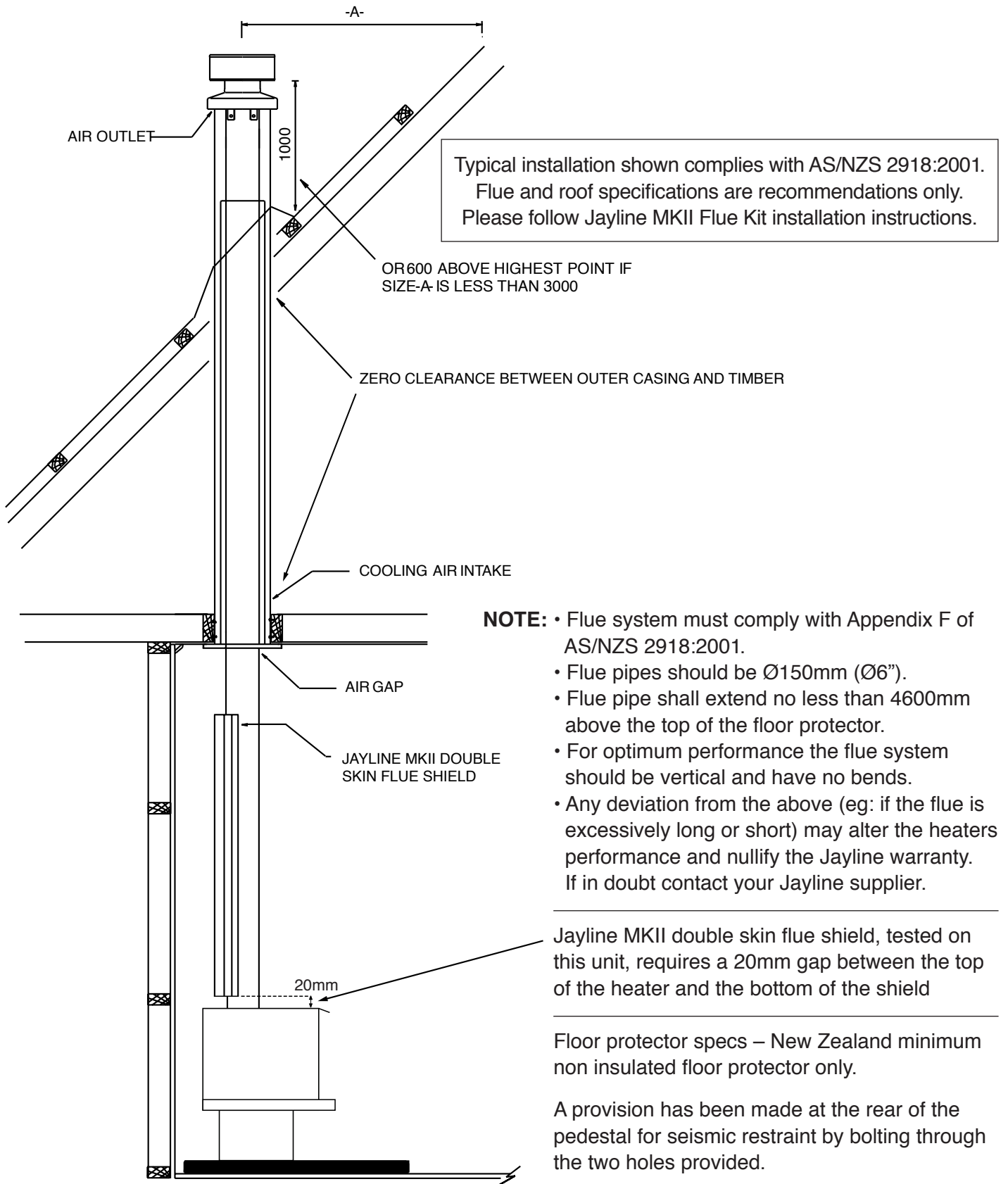
A	B	C	D	E	F	G	H	J	K	L	M	N	P	Q	R	S	T	U
100	290	300	200	100	254	598	406	827	898	1217	1007	642	650	615	562	320	420	107.5

Model	Water Heating Option	Floor Protector	Emissions	Efficiency
FR300	NO	Non insulated	0.7g/kg	65.4%
FR300W	3.1kW Jayline	Non insulated	0.66g/kg	65.1%

THIS MODEL HAS BEEN TESTED TO AS/NZS 2918:2001 AND IF INSTALLED IN ACCORDANCE WITH THESE SPECIFICATIONS THE HEATER COMPLIES WITH AS/NZS 2918:2001 including Appendix F. The minimum clearance to combustibles may be reduced if the combustibles are shielded with an approved non-combustible material. Details of suitable shielding materials and appropriate clearance reduction factors are present in Section 3 of AS/NZS 2918:2001.

Clean Air Authorisation #173527 / XXXXX

RETAIL LINKS LTD RESERVE THE RIGHT TO CHANGE SPECIFICATIONS OR DESIGNS WITHOUT PRIOR NOTICE.



IF INSTALLED IN ACCORDANCE WITH THESE SPECIFICATIONS THE HEATER COMPLIES WITH AS/NZS 2918:2001 including Appendix F.