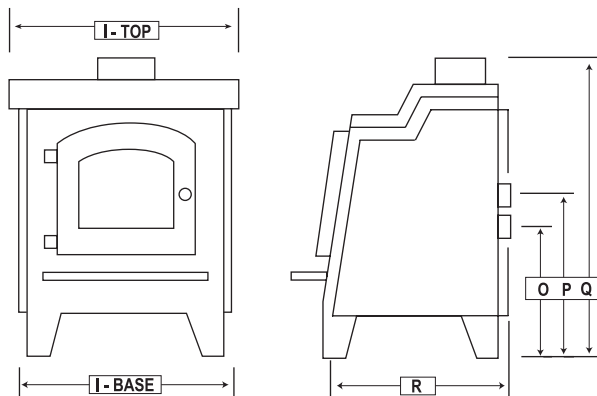
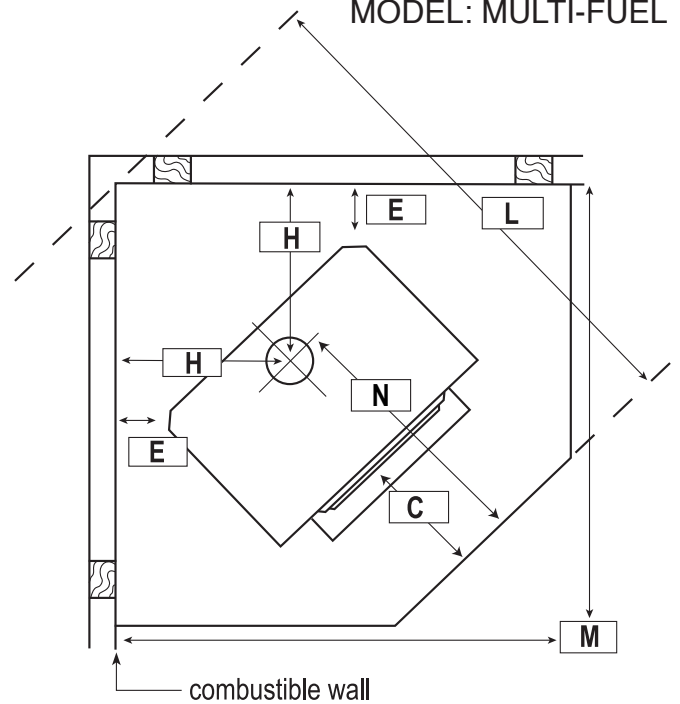
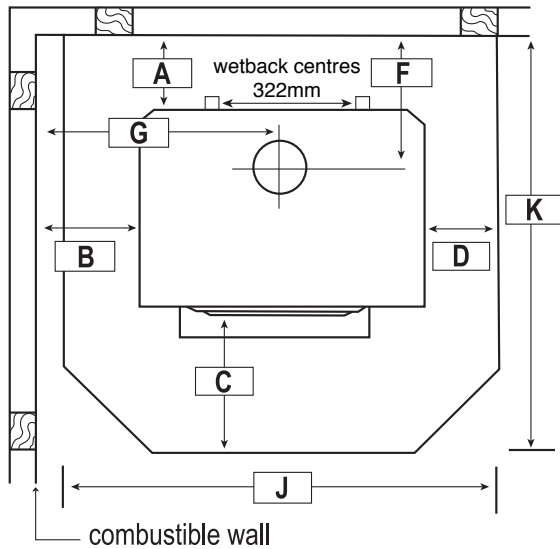


FREESTANDING SPECIFICATIONS
PAGE 1 OF 2

MODEL: MULTI-FUEL



Dimension 'C' is taken from door seal lip (fire box) to the front of the floor protector.

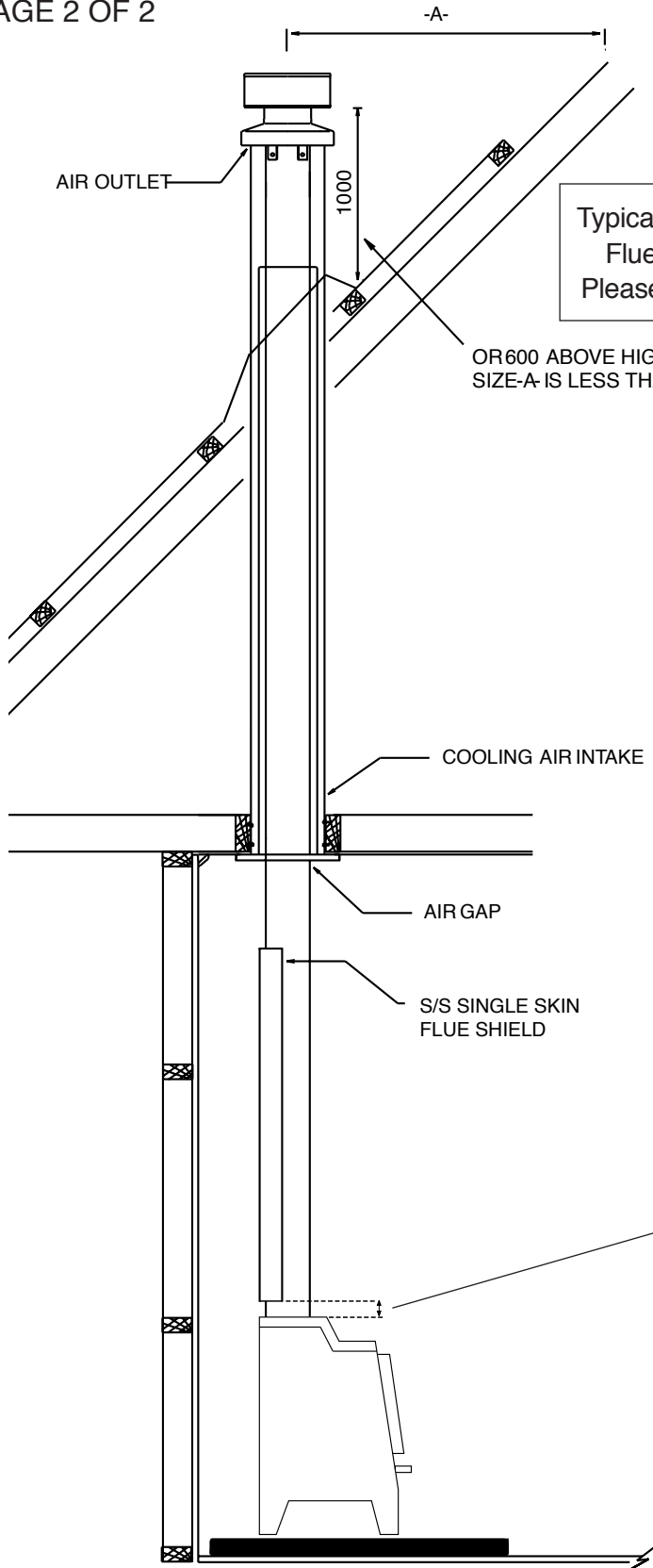
All dimensions are in millimetres.
All dimensions are set as a minimum guide only.

Minimum clearance requirements to combustibles with a Fisher heat shield & 1200mm s/s single skin flue screen.

A	B	C	D	E	F	G	H	J	K	L	M	N	I (top)	I (base)	O	P	Q	R
220	470	300	107	250	391	762	577	800	1065	1490	1200	674	584	563	496	516	794	545

Water Heating Option	Floor Protector	Max Log Length
Yes	Insulated	460mm

THIS MODEL HAS BEEN TESTED TO AS/NZS 2918:2001 AND IF INSTALLED IN ACCORDANCE WITH THESE SPECIFICATIONS THE HEATER COMPLIES WITH AS/NZS 2918:2001 including Appendix F. The minimum clearance to combustibles may be reduced if the combustibles are shielded with an approved non-combustible material. Details of suitable shielding materials and appropriate clearance reduction factors are present in Section 3 of AS/NZS 2918:2001.



Typical installation shown complies with AS/NZS 2918:2001.
Flue and roof specifications are recommendations only.
Please follow flue kit manufacturers installation instructions.

OR 600 ABOVE HIGHEST POINT IF
SIZE-A IS LESS THAN 3000

NOTE:

- Flue system must comply with Appendix F of AS/NZS 2918:2001.
- Flue pipes should be Ø150mm (Ø6”).
- Flue pipe shall extend no less than 4600mm above the top of the floor protector.
- For optimum performance the flue system should be vertical and have no bends.
- Any deviation from the above (eg: if the flue is excessively long or short) may alter the heaters performance and nullify the Fisher warranty. If in doubt contact your Fisher supplier.

Stainless steel single skin flue shield, tested on this unit, requires a 20mm gap between the top of the heater and the bottom of the shield.

Floor protector Specs – requires an insulated floor protector to the requirements of AS/NZS 2918:2001. 50mm concrete hearth thickness or thermal equivalent.

A provision has been made at the rear of the pedestal for seismic restraint by bolting through the two holes provided.

IF INSTALLED IN ACCORDANCE WITH THESE SPECIFICATIONS THE HEATER COMPLIES WITH AS/NZS 2918:2001 including Appendix F.