

- A = Rear wall to rear heat shield
- B = Side wall to side edge of top plate
- C = Door seal lip (fire box) to the front of the floor protector
- E = Wall to rear corner of top plate

All dimensions are in millimetres.  
All dimensions are set as a minimum guide only.

Minimum clearance requirements to combustibles with 1200mm Fisher MKII double skin flue shield

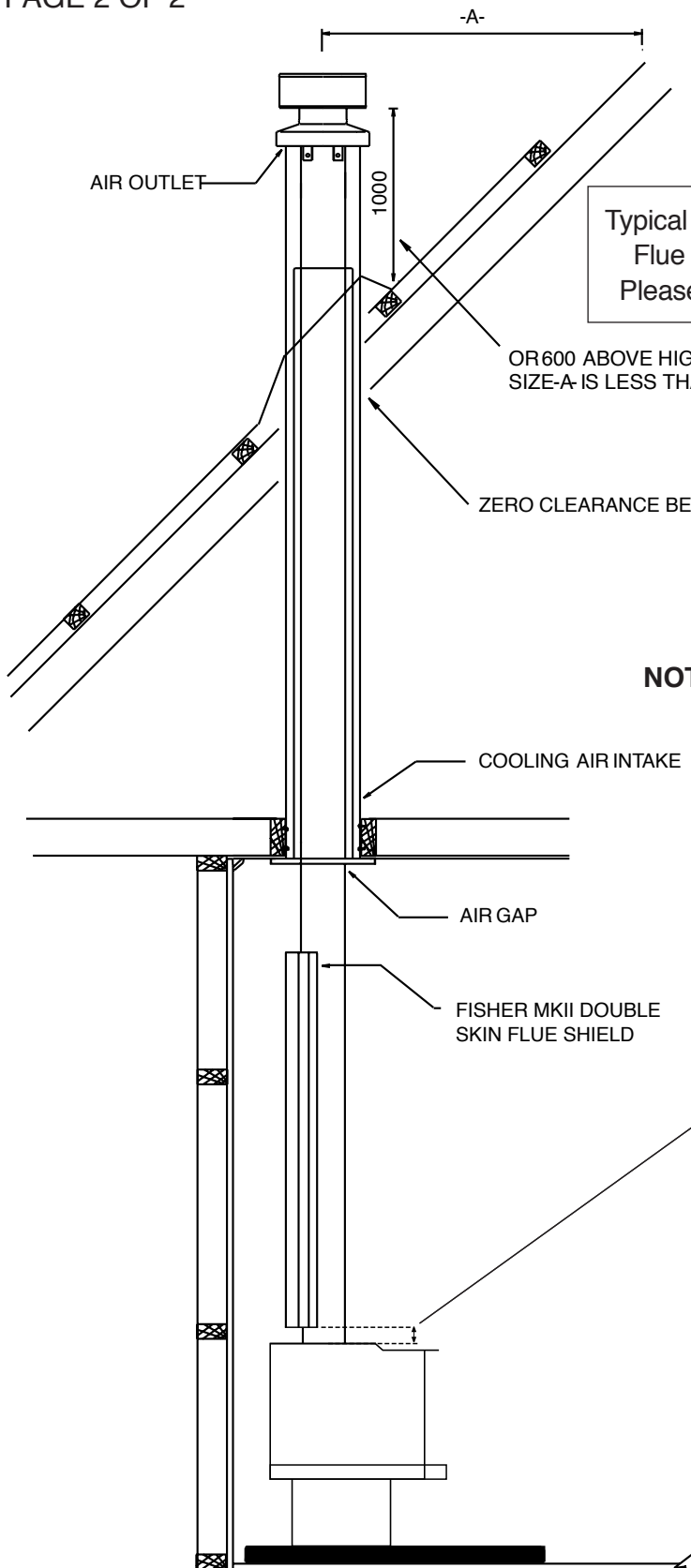
A	B	C	D	E	F	G	H	J	K	L	M	N	P	Q	R	S	T	U
100	250	300	120	100	233	680	498	1100	992	1463	1298	759	840	860	738	663	694	254

Water Heating Option	Floor Protector	Emissions	Efficiency
Yes	Non insulated	74% (dry) / 69% (wet)	0.83g/kg (dry) / 0.92g/kg (wet)

THIS MODEL HAS BEEN TESTED TO AS/NZS 2918:2001 AND IF INSTALLED IN ACCORDANCE WITH THESE SPECIFICATIONS THE HEATER COMPLIES WITH AS/NZS 2918:2001 including Appendix F. The minimum clearance to combustibles may be reduced if the combustibles are shielded with an approved non-combustible material. Details of suitable shielding materials and appropriate clearance reduction factors are present in Section 3 of AS/NZS 2918:2001.

Clean Air Authorisation #136309 (dry) #136310 (wet)

RETAIL LINKS LTD RESERVE THE RIGHT TO CHANGE SPECIFICATIONS OR DESIGNS WITHOUT PRIOR NOTICE.



Typical installation shown complies with AS/NZS 2918:2001. Flue and roof specifications are recommendations only. Please follow Fisher MKII Flue Kit installation instructions.

OR 600 ABOVE HIGHEST POINT IF SIZE-A IS LESS THAN 3000

ZERO CLEARANCE BETWEEN OUTER CASING AND TIMBER

**NOTE:** • Flue system must comply with Appendix F of AS/NZS 2918:2001.

- Flue pipes should be  $\text{Ø}150\text{mm}$  ( $\text{Ø}6''$ ).
- Flue pipe shall extend no less than 4600mm above the top of the floor protector.
- For optimum performance the flue system should be vertical and have no bends.
- Any deviation from the above (eg: if the flue is excessively long or short) may alter the heaters performance and nullify the Fisher warranty. If in doubt contact your Fisher supplier.

Fisher MKII double skin flue shield, tested on this unit, requires a 15mm gap between the top of the heater and the bottom of the shield

Floor protector specs – New Zealand minimum non insulated floor protector only.

A provision has been made at the rear of the pedestal for seismic restraint by bolting through the two holes provided.

Water booster must be a Fisher Hanmer water booster (#301977 to comply with AS/NZS 4013:1999) and installed by a Certified Plumber.

IF INSTALLED IN ACCORDANCE WITH THESE SPECIFICATIONS THE HEATER COMPLIES WITH AS/NZS 2918:2001 including Appendix F.