

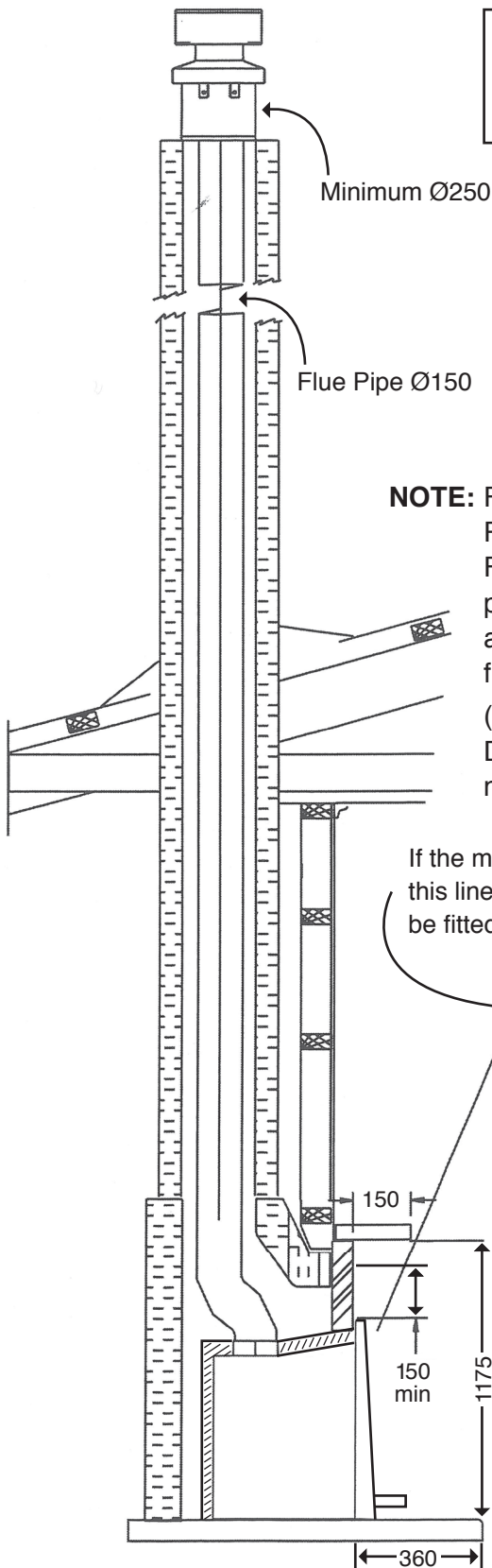
MEASUREMENTS EXCLUDE INSULATING BLANKET
All dimensions are in millimetres.
All dimensions are set as a minimum guide only.

Water Heating Option	Floor Protector	Emissions	Efficiency
No	Non insulated	0.69g/kg	66%

THIS MODEL HAS BEEN TESTED TO AS/NZS 2918:2001 AND IF INSTALLED IN ACCORDANCE WITH THESE SPECIFICATIONS THE HEATER COMPLIES WITH AS/NZS 2918:2001 including Appendix E.

Clean Air Authorisation #141268

RETAIL LINKS LTD RESERVE THE RIGHT TO CHANGE SPECIFICATIONS OR DESIGNS WITHOUT PRIOR NOTICE.



Typical installation shown complies with AS/NZS 2918:2001. The insulating blankets supplied should be installed to ensure maximum performance.

**Floor protector requirements:
Non insulating ash floor protector
minimum size 900 x 360mm.**

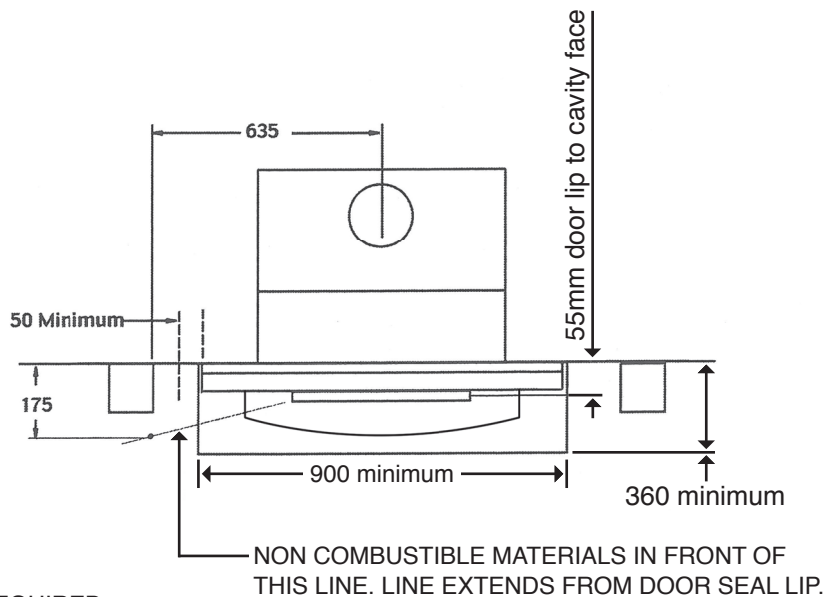
NOTE: Flue Kits

Please follow the flue manufacturer's installation instructions. Flue pipe shall extend no less than 4600mm above the top of the floor protector. Flue pipes should be Ø150mm (Ø6"). Deviation from this may alter the heaters performance and may nullify the Jayline warranty if the flue is excessively long or short, if in doubt contact your Jayline supplier.

(Seismic Restraint)

Drill through the holes provided in the base brackets, then into the masonry, and fit two M6 bolts or similar Ø as a seismic restraint.

If the mantle extends beyond this line a mantle protector should be fitted.



NON INSULATING FLOOR PROTECTOR REQUIRED