



**JAYLINE**  
**HEATING**  
**SOLID FUELED**

FIRE BOX  
**10** year  
WARRANTY



## THE SAFFIRE

The perfect free standing fire for both modern and traditional homes.

The Saffire's unique Surround Vision glass door increases both the view of the fire and the heat output by up to 30%. With a hideaway ash spill tray, ceramic lined firebox and a host of other practical design features, the Jayline Saffire is a stylish choice for the small to medium sized home.

\$

## THE SAFFIRE II

The latest addition to the Jayline range, the Saffire II is the culmination of 20 years of design excellence. The unique Convection Tube System found on all Jaylines gives unprecedented air flow and greatly extends fire box life.

\$



**JAYLINE**  
HEATING



## THE STARFIRE

As the name suggests, this is the star of the Jayline range. The perfect heater for larger spaces and more extreme winter chills. A huge output ensures warmth in homes in excess of 200 m<sup>2</sup> (2000+ sq feet). The Starfire's large ceramic lined firebox will take logs up to 450mm long to keep you warm through the longest winter. It's big and beautiful. And, like all Jayline Woodstoves, the Starfire is designed to deliver maximum heat with clean burning efficiency.

\$

**JAYLINE**  
HEATING



## THE SPITFIRE

Advanced good looks and performance with a large firebox for greater heating power. Clean lines and superior design features such as a hideaway door handle and Surround Vision Glass are the perfect combination for today's large space heating requirements.

\$

## THE SPITFIRE INSERT

The latest in high performance, high economy, insert woodstoves, the Jayline Spitfire Insert has the same internal features as the Spitfire freestanding fire, including the Jayline Convection Tube System, Surround Vision glass and single action heat control. The Spitfire can also be installed with the Jayline Heatcell for the ultimate in space saving efficiency.

\$



**JAYLINE**  
HEATING



## THE CLASSIC

Classic good looks coupled with classic performance makes this a solid heating choice for the medium sized homes.

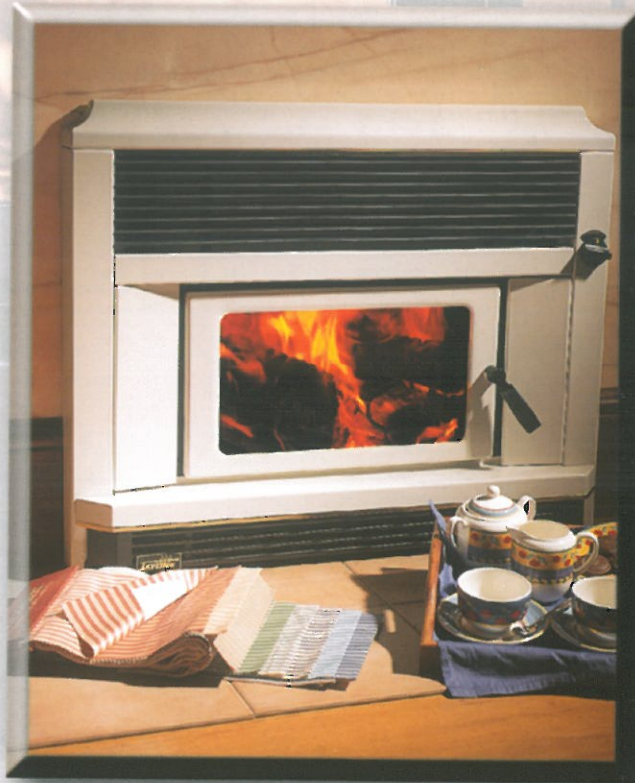
With Jayline's advanced heating technology, the Classic includes a steel firebox with ceramic lining and the unique Convection Tube System to spread heat fast into every corner of your room.

\$

## THE CLASSIC INSERT

Experience the superior heating performance of the Classic in a sleek insert unit. The Classic Insert installs easily into existing fireplaces or, with the Jayline Heatcell, directly into any wall space without the need for added insulation. Generous firebox capacity for a fire that provides all the warmth you need for the coldest winter nights.

\$



**JAYLINE**  
HEATING

## WARM TO THESE SPECIAL FEATURES:

- Unique Convection Tube System spreads warmth faster and more efficiently
- Ceramic lined firebox to withstand higher temperatures and give longer life
- Easy to operate door handles
- Concealed door handles on Saffire, Spitfire and Starfire models
- Single action heat controls for easy, efficient operation
- Special concealed ash spill tray on Saffire, Spitfire and Starfire models
- Large glass areas
- Cleaner burning, low emissions
- Choice of stylish enamel colours.



## THE JAYLINE GUARANTEE

When you buy a Jayline Woodstove, you're getting a quality appliance that's designed to give many years of reliable service. Rigorous testing is performed on all Jayline Woodstoves in independent laboratories and domestic situations. Full compliance with international safety, performance and emission regulations is of paramount importance. For this reason you are offered a comprehensive 10 year Conditional Firebox Warranty.

## GENERAL INFORMATION

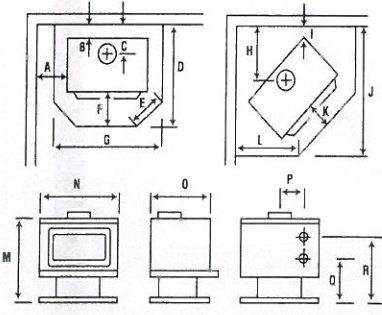
Recommended fuel: wood or wood and coal mix 50/50 (check with your dealer regarding local by-laws). Heating output and burn times will vary depending on fuel size, type and moisture content. The Jayline Woodstove range has been tested to comply with NZS7421, NZS4703 and AS2918, AS4013. All Jayline Woodstoves are supplied with installation and operation instructions.

*Jayline Heating Ltd reserves the right to change specifications or design of its product without prior notice*

	FREESTANDING SPECS (MM)													NZ CLEARANCES (FLUE SCREEN 1200)								MEASUREMENTS							
	A	B	C	D	E	F	G	H	I	J	K	L	M	N	O	P	Q	R											
SAFFIRE	260	60	205	700	280	200	850	290	5	860	200	410	665	535	430	150	290	390											
SAFFIRE II	255	70	225	720	170	200	900	350	25	900	200	450	675	650	410	150	280	455											
CLASSIC	274	95	236	735	166	200	800	355	25	950	200	465	685	645	440	150	280	455											
SPITFIRE	340	120	260	750	410	200	850	325	10	900	200	440	675	615	440	200	320	420											
STARFIRE	395	122	282	1024	166	200	895	443	100	1178	200	708	680	645	430	200	325	425											

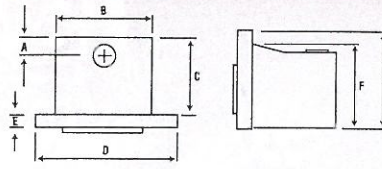
	ESTIMATED HEATING AREA	INDUSTRY RATED PEAK OUTPUT (KW)	NZHHMA TESTED MAX OUTPUT (KW)	MAX LOG LENGTH	WATER HEATING OPTION	BURN TIME ON LOW (HRS)	ASH HEARTH
SAFFIRE	120-160m <sup>2</sup>	15		350	✓	8-10	✓
SAFFIRE II	120-160m <sup>2</sup>	15	12	350	✓	8-10	✓
CLASSIC	150-190m <sup>2</sup>	17	14.6	425	✓	8-10	✓
SPITFIRE	170-210m <sup>2</sup>	21		425	✓	8-10	✓
STARFIRE	200-240m <sup>2</sup>	24		450	✓	10-12	✓



	INSERT SPECS (MM)							MEASUREMENTS						
	A	B	C	D	E	F	G	A	B	C	D	E	F	G
CLASSIC	110	585	460	850	65	590	670	For insert clearances refer to the installation specification leaflet for your model						
SPITFIRE	110	480	430	940	85	590	705							

	ESTIMATED HEATING AREA	INDUSTRY RATED PEAK OUTPUT (KW)	NZHHMA TESTED MAX OUTPUT (KW)	MAX LOG LENGTH	WATER HEATING OPTION	BURN TIME ON LOW (HRS)
CLASSIC	110-150m <sup>2</sup>	17	11.9	425	✓	8-10
SPITFIRE	130-170m <sup>2</sup>	21		425	✓	8-10



Do not use the above figures as installation specifications, as specifications may change. Please use the specifications supplied with the heater.

Your approved Jayline Stockist is:



Jayline Heating Ltd, PO Box 5055, Port Nelson, New Zealand. Phone: 0-3-548 4800 A division of the Reliance Group. Website: [www.reliancegroup.co.nz](http://www.reliancegroup.co.nz)

