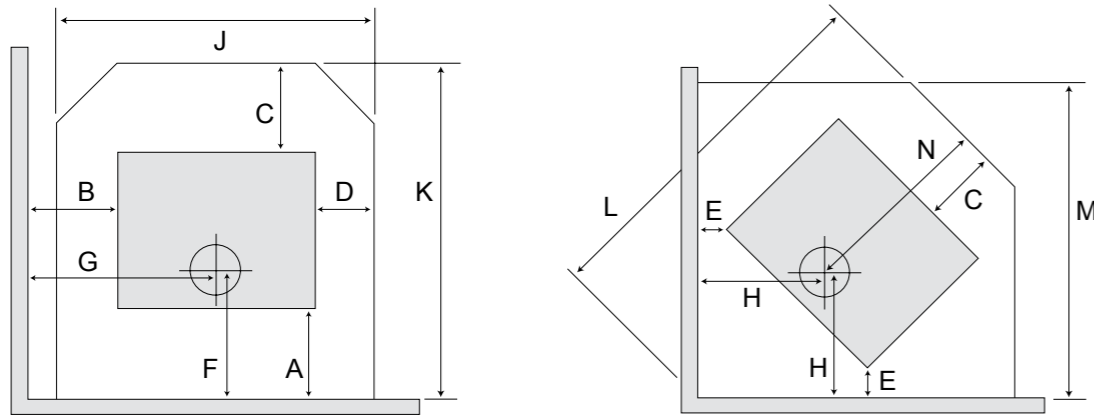


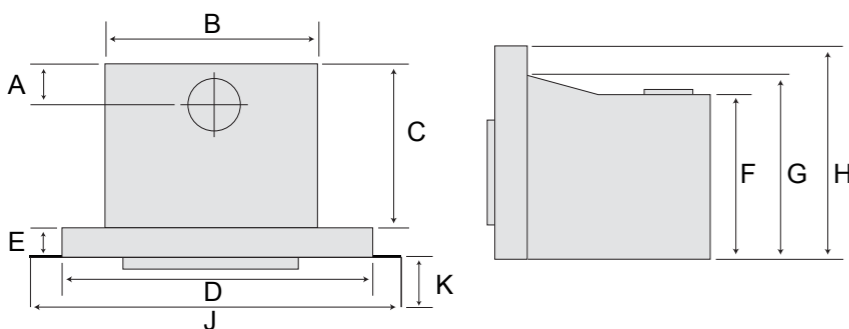
# Specifications



Clearance Requirements (mm)	A	B	C*	D	E	F	G	H	J	K	L	M	N
SS200 (with Logaire double skin flue shield)	150	250	300	114	150	298	550	467	828	848	1209	996	550
CS400 (with single skin flue shield)	150	250	300	200	50	305	525	350	950	910	1065	937	572
SS400 (with Logaire double skin flue shield and flue deflector)	170	340	300	89	120	355	705	510	908	946	1311	1095	591
Spitfire (with stainless steel double skin flue shield and top edge diverter)	100	250	300	131	50	258	574	392	909	844	1138	973	586
Classic CA (with stainless steel double flue shield and flue deflector)	100	250	300	103	50	241	573	378	851	841	1138	950	600
DM500	100	50	N/A	N/A	50	260	375	347	N/A	N/A	N/A	N/A	N/A

\*Dimension 'C' is taken from door seal lip (fire box) to the front of the floor protector.

Heater Dimensions (mm)	P	Q	R	S	T	U
SS200	648	600	425	N/A	N/A	N/A
CS400	620	545	465	N/A	N/A	N/A
SS400	649	730	482	N/A	N/A	N/A
Spitfire	705	647	444	N/A	N/A	N/A
Classic CA	679	645	441	N/A	N/A	N/A
DM500	660	650	380	100	520	575



Heater Dimensions (mm)	A	B	C	D	E	F	G	H	J**	K**
Starfire Insert*	150	590	479	807	49	540	590	645	840	333

\* For Starfire Zero Clearance dimensions, please contact your Jayline dealer.

\*\* Please refer to specifications for full floor protector details.

Retail Links Ltd reserve the right to change specifications or designs without prior notice.

Retail Links Ltd, P.O Box 9056, Annesbrook, Nelson, www.jayline.co.nz. July 2009

*The trusted name in home heating since 1975.*



Your approved Jayline stocklist:



RETAIL LINKS  
LIMITED™





Signature Series

## Starfire

The quest for the perfect and latest in high performance, high economy, clean air wood inserts ends with the Jayline Starfire. The clean contemporary lines, large viewing glass and metallic black matt finish of the Starfire enable it to fit any home décor. Optional Zero Clearance cabinet.

Convection Heating:	Yes
Recommended Heating Area:	120-140m <sup>2</sup>
Estimated Peak Output:	14kW
Emissions:	.9g/kg
Efficiency:	69%
Floor Protector Required:	Non Insulated
Clean Air & ECan Authorisation No:	072487



Signature Series

## SS200

The SS200 has a modern 6mm firebox. Its traditional sleek outer wrap design will enhance any room. This fire uses radiant heat transfer to warm open plan areas.

Radiant Cooktop:	Yes
Recommended Heating Area:	120-160m <sup>2</sup>
Estimated Peak Output:	14kW
Emissions:	.95g/kg
Efficiency:	65.8%
Cooktop:	Yes
Floor Protector Required:	Non Insulated
Clean Air Authorisation Number:	N0023



Convection Maximiser Series

## SS400

The SS400, like the smaller SS200, combines modern clean lines with a large glass front. This SS400 firebox includes Jayline's exclusive convection maximiser technology with the added bonus of a radiant cooktop.

Radiant Cooktop:	Yes
Recommended Heating Area:	130-180m <sup>2</sup>
Estimated Peak Output:	17kW
Emissions:	1.37g/kg
Efficiency:	66.4%
Cooktop:	Yes
Floor Protector Required:	Non Insulated
Clean Air Authorisation Number:	N0025



Convection Maximiser Series

## Classic CA

The Classic is the timeless, ultimate comfort machine for medium sized homes. With Jayline's advanced Convection Maximiser Technology, the Classic boasts all our exclusive and proven features, it also includes a sturdy steel firebox with ceramic lining.

Convection Heating:	Yes
Recommended Heating Area:	130-190m <sup>2</sup>
Estimated Peak Output:	17kW
Emissions:	.79g/kg
Efficiency:	80.6%
Cooktop:	Yes
Floor Protector Required:	Non Insulated
Clean Air & ECan Authorisation No:	04015



Signature Series

## DM500

The DM500 is a modern styled fire that uses diesel as fuel. It is cost effective to run and produces a constant heat output.

Convection Heating:	Yes
Recommended Heating Area:	100-120m <sup>2</sup>
Estimated Peak Output:	8kW
Emissions:	N/A
Efficiency:	N/A
Cooktop:	Yes
Floor Protector Required:	N/A
Clean Air Wetback Approved:	Yes



Cast Series

## CS400

This is the first in the series of Jayline cast fireboxes. The CS400 has a contemporary design that will fit any home décor. Its sloping door and cast construction ensure maximum heat output.

Convection Heating:	Yes
Recommended Heating Area:	120-160m <sup>2</sup>
Estimated Peak Output:	14kW
Emissions:	1.12g/kg
Efficiency:	68.2%
Cooktop:	Yes
Floor Protector Required:	Non Insulated
Clean Air Authorisation Number:	N0015



Convection Maximiser Series

## Spitfire

The Spitfire blends style and performance to transform larger spaces into luxurious spaces. This fire has the full complement of our Convection Maximiser Technology, clean lines and superior design.

Convection Heating:	Yes
Recommended Heating Area:	130-180m <sup>2</sup>
Estimated Peak Output:	17kW
Emissions:	1.34g/kg
Efficiency:	69.6%
Cooktop:	Yes
Floor Protector Required:	Non Insulated
Clean Air Authorisation Number:	N0024

## The Jayline Story

### Signature Series

Jayline's industry standard range, that delivers value for money, without sacrificing heat output or attractive product design.

### Cast Series

The trusted and age old established qualities that cast brings to the fire box are maintained. "Cast to last" is not to be ignored when it comes to choosing the right solution for you.

### Jayline's exclusive Convection Maximiser Technology

This enhances the airflow and heat transfer from the fire to the wider home. Air is super heated in the tubes that run through the top of the firebox and put directly to use. The Convection Maximiser Technology allows a smaller unit to distribute the heat more effectively and use less wood.

