

- A = Rear wall to top of top plate
- B = Side wall to side edge of top plate
- C = Door seal lip (fire box) to the front of the floor protector
- E = Wall to rear corner of top plate

Minimum clearance requirements to combustibles with 1200mm Jayline MKII double skin flue shield

A	B	C	D	E	F	G	H	J	K	L	M	N	P	Q	R	S	T	U
130	380	300	100	150	245	691	450	822	890	1282	1050	646	648	622	546	322	422	107

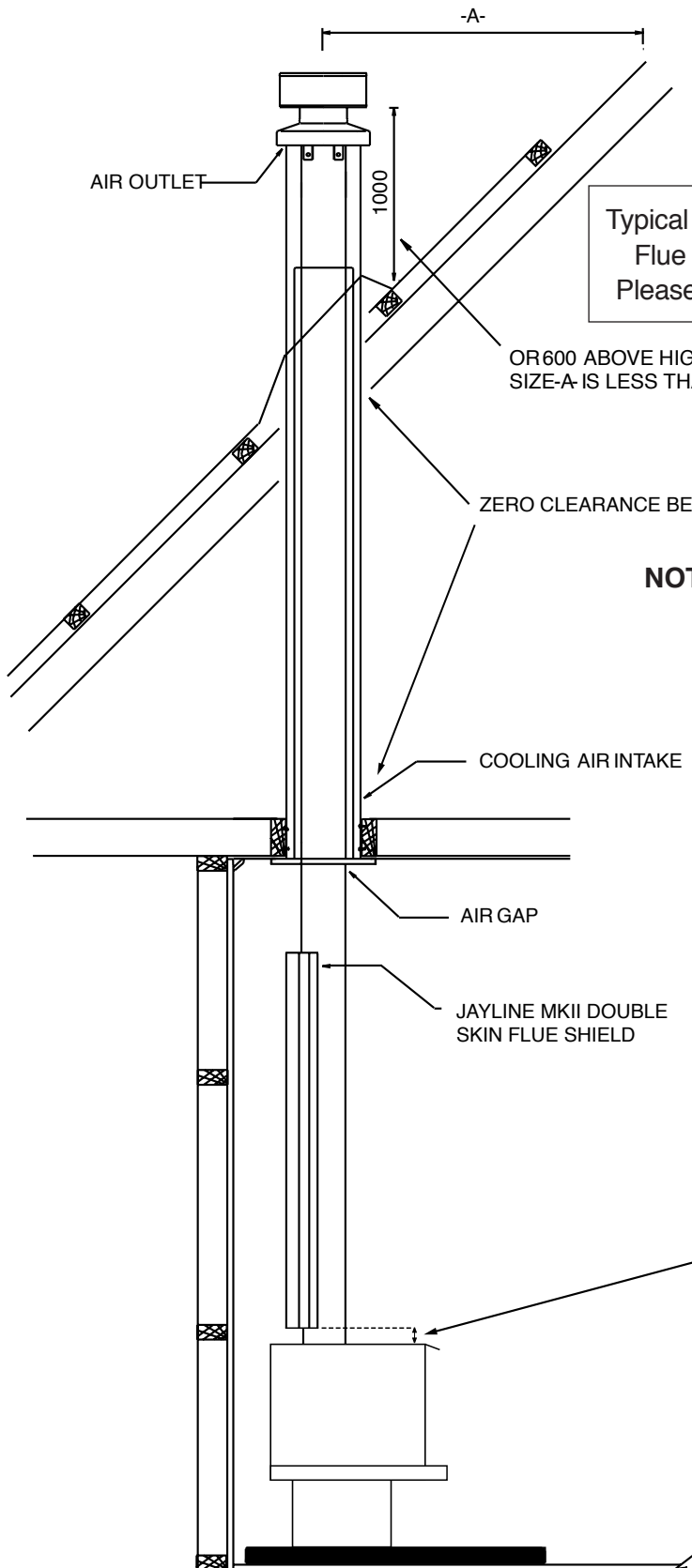
All dimensions are set as a minimum guide only. All dimensions are in millimetres.

Water Heating	Floor Protector	Emissions	Efficiency
Yes	Non insulated	0.89g/kg	68.1%

THIS MODEL HAS BEEN TESTED TO AS/NZS 2918:2001 AND IF INSTALLED IN ACCORDANCE WITH THESE SPECIFICATIONS THE HEATER COMPLIES WITH AS/NZS 2918:2001 including Appendix F. The minimum clearance to combustibles may be reduced if the combustibles are shielded with an approved non-combustible material. Details of suitable shielding materials and appropriate clearance reduction factors are present in Section 3 of AS/NZS 2918:2001.

Clean Air Authorisation #CRC157425

RETAIL LINKS LTD RESERVE THE RIGHT TO CHANGE SPECIFICATIONS OR DESIGNS WITHOUT PRIOR NOTICE.



Typical installation shown complies with AS/NZS 2918:2001.
Flue and roof specifications are recommendations only.
Please follow Jayline MKII Flue Kit installation instructions.

- NOTE:**
- Flue system must comply with Appendix F of AS/NZS 2918:2001.
 - Flue pipes should be $\text{Ø}150\text{mm}$ ($\text{Ø}6''$).
 - Flue pipe shall extend no less than 4600mm above the top of the floor protector.
 - For optimum performance the flue system should be vertical and have no bends.
 - Any deviation from the above (eg: if the flue is excessively long or short) may alter the heaters performance and nullify the Jayline warranty. If in doubt contact your Jayline supplier.

Jayline MKII double skin flue shield, tested on this unit, requires a 28mm gap between the top of the heater and the bottom of the shield.

Floor protector specs – New Zealand minimum non insulated floor protector only.

A provision has been made at the rear of the pedestal for seismic restraint by bolting through the two holes provided.

The water booster must be a Jayline 3.1kW water booster #302838 to comply with AS/NZS 4013:2014, and be installed by a certifying plumber.

The water booster can be fitted to either the left, or right hand side.

IF INSTALLED IN ACCORDANCE WITH THESE SPECIFICATIONS THE HEATER COMPLIES WITH AS/NZS 2918:2001 including Appendix F.